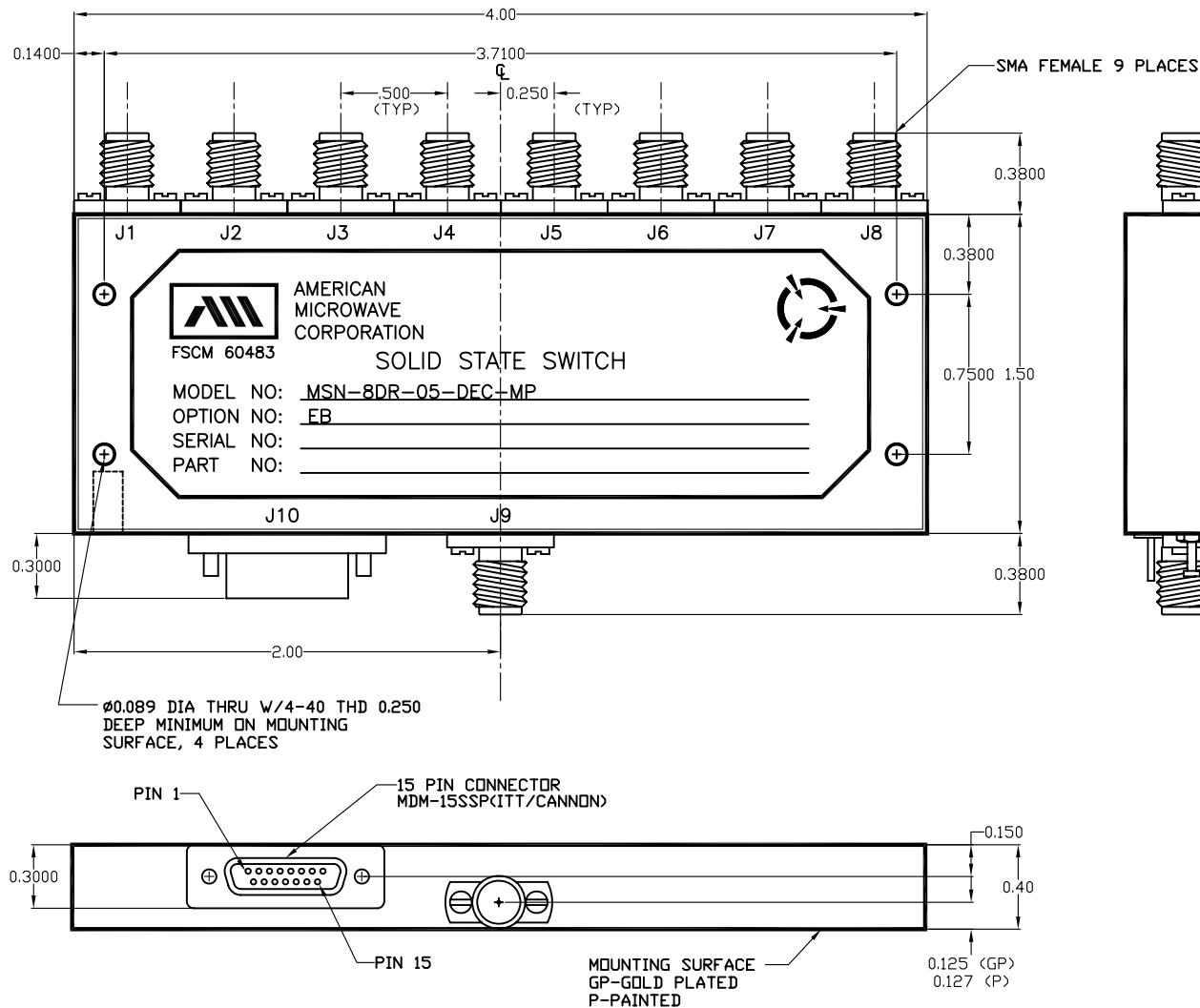


**DESCRIPTION:**

AMC MODEL MSN-8DT-05-DEC-MP OPTION EB IS A SINGLE POLE EIGHT THROW NON-REFLECTIVE/ABSORPTIVE SWITCH MODULE WITH VERY LOW INSERTION LOSS, HIGH ISOLATION AND WITH INTEGRAL TTL DRIVER, DESIGNED FOR 0.5 TO 18 GHz OPERATION.

REVISIONS				
ZONE	REV.	DESCRIPTION	DATE	APPROVED
	-	ORIGINAL RELEASE JOB# 607140-1	09/25/06	

**MECHANICAL OUTLINE DRAWING**



ALL DIMENSIONS ARE IN INCHES  
 TOLERANCES:  
 X.XX ±0.010  
 X.XXX ±0.005

PART NO.		AMERICAN MICROWAVE CORPORATION FREDERICK, MARYLAND		
APPROVALS	DATE	TITLE		
DRAWN <i>MJB</i>	9/25/06	OUTLINE DRAWING MSN-8DT-05-DEC-MP OPTION: EB ABSORPTIVE SOLID STATE SWITCH		
CHECKED <i>RA</i>	10/11/06	SIZE	FSCM NO.	DWG NO.
ISSUED		A	60483	100-3938-7
		SCALE	NONE	SHEET 2 OF 4

**DESCRIPTION:**

AMC MODEL MSN-8DT-05-DEC-MP OPTION EB IS A SINGLE POLE EIGHT THROW NON-REFLECTIVE/ABSORPTIVE SWITCH MODULE WITH VERY LOW INSERTION LOSS, HIGH ISOLATION AND WITH INTEGRAL TTL DRIVER, DESIGNED FOR 0.5 TO 18 GHz OPERATION.

REVISIONS				
ZONE	REV.	DESCRIPTION	DATE	APPROVED
	-	ORIGINAL RELEASE JOB# 607140-1	9/25/06	

**SPECIFICATIONS:**

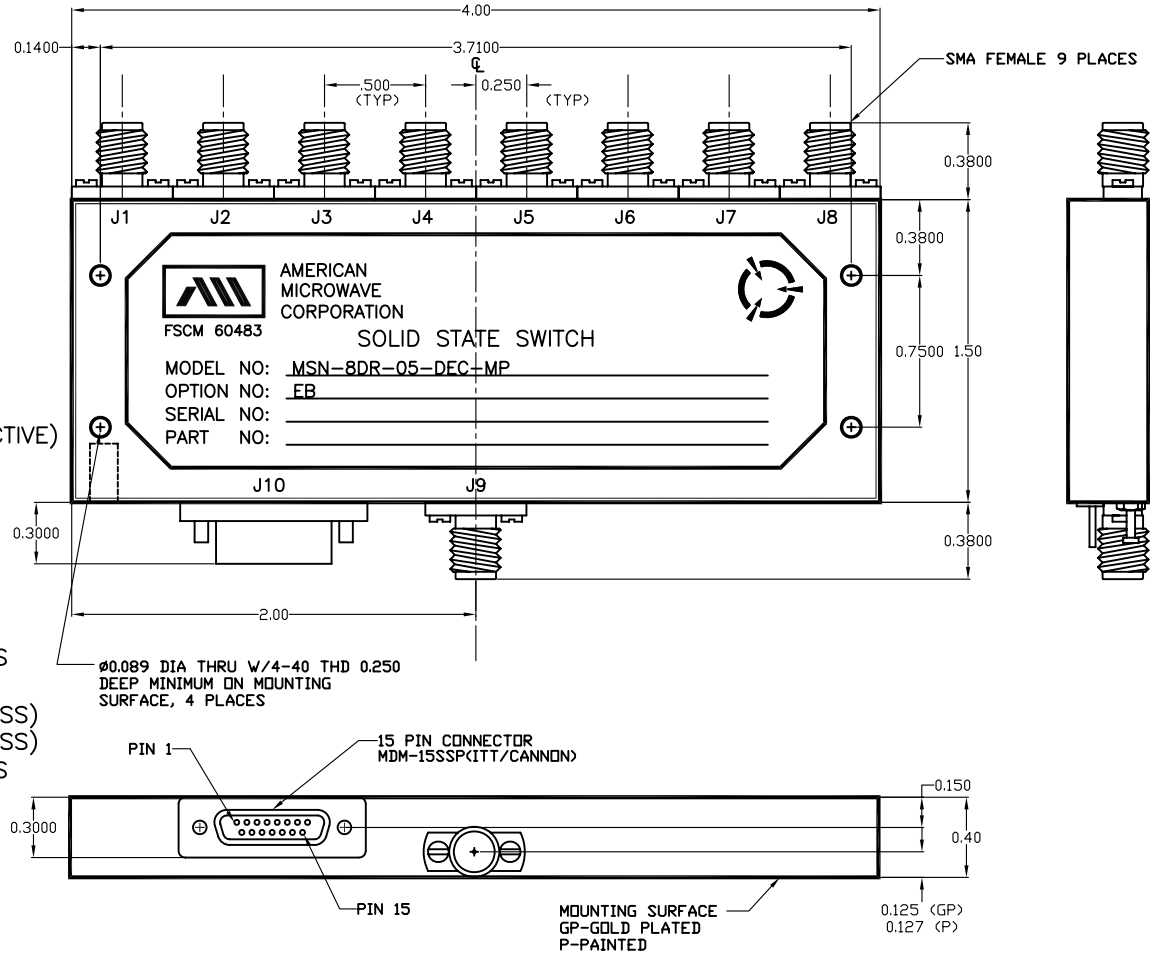
- FREQUENCY: ..... 0.5 GHz TO 18 GHz
- INSERTION LOSS: ..... REFLECTIVE: 3.5db  
ABSORPTIVE: 4.0db
- ISOLATION: ..... 0.5 GHz TO 2 GHz: 60db  
2 GHz TO 18 GHz: 70db
- VSWR: ..... ABSORPTIVE IN/OUT: 2.0:1  
ABSORPTIVE OUT/OFF: 2.0:1
- SPEED: ..... RISE: 10ns TYPICAL, 15nS MAX.  
FALL: 10ns TYPICAL, 15nS MAX.  
DELAY ON: 75ns TYPICAL, 100nS MAX.  
DELAY OFF: 75ns TYPICAL, 100nS MAX.
- POWER SUPPLY: ..... +5V @ 400mA MAX.  
-5V @ 100mA MAX.(ABSORPTIVE/NON-REFLECTIVE)

**OPTIONS:**

- INDEPENDANT CONTROL WITH SOLDER PIN STANDARD
- DEC-MP ..... 3 BIT DECODER WITH MULTIPIN
- DEC-SP ..... 3 BIT DECODER WITH SOLDER PIN
- MP-IND ..... INDEPENDANT CONTROL WITH MULTIPIN
- 10M18 ..... 10 MHz TO 18 GHz (INSERTION LOSS INCREASES BY 1.5db AT 10 MHz AND 0.5db AT 18 GHz)
- 100M18 ..... 100 MHz TO 18 GHz (INSERTION LOSS INCREASES BY 1.5db AT 100 MHz AND 0.5db AT 18 GHz)
- 218 ..... 2 GHz TO 18 GHz (NO CHANGE IN INSERTION LOSS)
- 618 ..... 6 GHz TO 18 GHz (NO CHANGE IN INSERTION LOSS)
- 100M20 ..... 100 MHz TO 20 GHz (INSERTION LOSS INCREASES BY 1.5db AT 100 MHz AND 1.0db AT 20 GHz)
- 220 ..... 2 GHz TO 20 GHz (INSERTION LOSS INCREASES BY 1.0db AT 20 GHz)
- 1020 ..... 10 GHz TO 20 GHz (INSERTION LOSS INCREASES BY 1.0db AT 20 GHz)
- B01 ..... -12V POWER SUPPLIES
- B02 ..... -15V POWER SUPPLIES
- EB ..... ENABLE BIT

**ENVIRONMENTAL RATINGS**

- TEMPERATURE ..... -54°C TO +85°C (OPERATING)  
-65°C TO +100°C (STORAGE)
- HUMIDITY ..... MIL-STD-202F, METHOD 103B COND. B
- SHOCK ..... MIL-STD-202F, METHOD 213B COND. B
- VIBRATION ..... MIL-STD-202F, METHOD 204D COND. B
- ALTITUDE ..... MIL-STD-202F, METHOD 105C COND. B
- TEMPERATURE CYCLE ..... MIL-STD-202F, METHOD 107D COND. A



ALL DIMENSIONS ARE IN INCHES  
TOLERANCES:  
X.XX ±0.020  
X.XXX ±0.010

PIN OUT TABLE	
3 BIT DECODER	
PIN NO.	FUNCTION
1	E1
2	E2
3	E3
4	N/C
5	N/C
6	N/C
7	N/C
8	N/C
9	EB
10	N/C
11	N/C
12	GND
13	+V
14	-V
15	GND

PIN OUT TABLE	
MP-IND	
PIN NO.	FUNCTION
1	E1
2	E2
3	E3
4	E4
5	E5
6	E6
7	E7
8	E8
9	EB
10	N/C
11	N/C
12	GND
13	+V
14	-V
15	GND

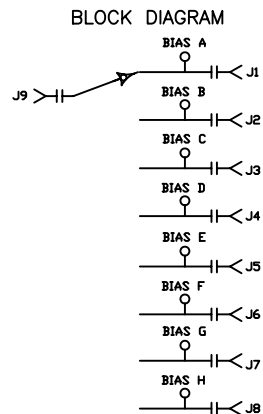
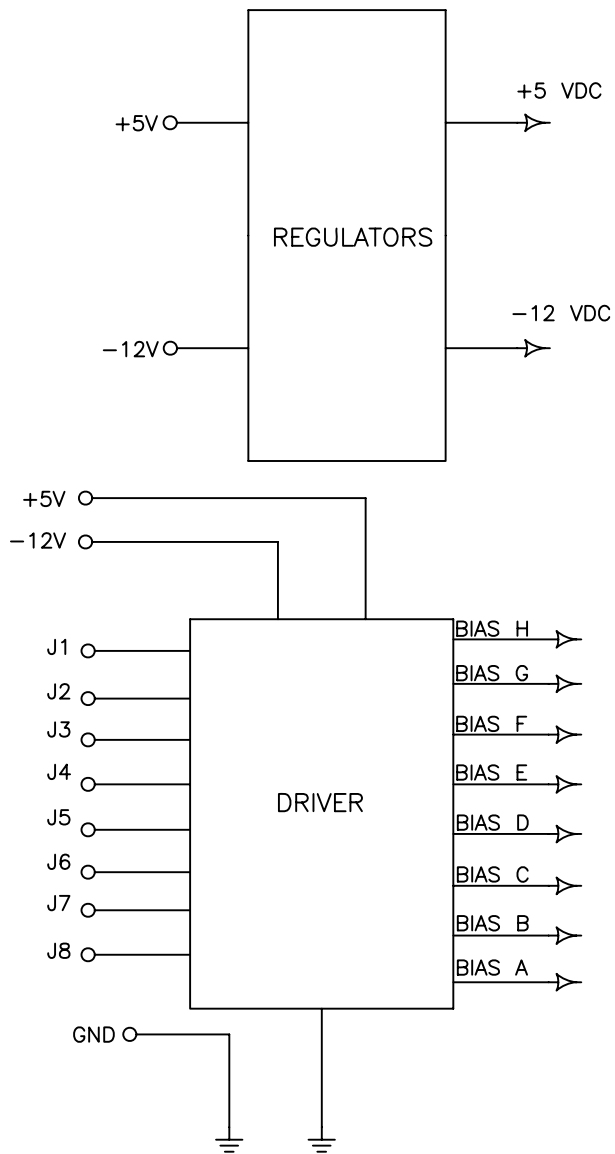
PART NO.		AMERICAN MICROWAVE CORPORATION FREDERICK, MARYLAND	
APPROVALS	DATE	TITLE	
DRAWN <i>MJB</i>	9/25/06	PRODUCT FEATURE MSN-8DT-05-DEC-MP OPTION: EB ABSORPTIVE SOLID STATE SWITCH	
CHECKED <i>RA</i>	10/11/06	SIZE	REV.
ISSUED		A	-
		FSCM NO.	DWG NO.
		60483	100-3938-7
		SCALE	SHEET
		NONE	1 OF 4

**DESCRIPTION:**


AMC MODEL MSN-8DT-05-DEC-MP OPTION EB IS A SINGLE POLE EIGHT THROW NON-REFLECTIVE/ABSORPTIVE SWITCH MODULE WITH VERY LOW INSERTION LOSS, HIGH ISOLATION AND WITH INTEGRAL TTL DRIVER, DESIGNED FOR 0.5 TO 18 GHz OPERATION.

REVISIONS				
ZONE	REV.	DESCRIPTION	DATE	APPROVED
	-	ORIGINAL RELEASE	JOB#607140-1	9/25/06

**FUNCTIONAL BLOCK DIAGRAM**



ALL DIMENSIONS ARE IN INCHES  
 TOLERANCES:  
 X.XX ±0.010  
 X.XXX ±0.005

PART NO.		 AMERICAN MICROWAVE CORPORATION FREDERICK, MARYLAND		
APPROVALS	DATE	TITLE		
DRAWN <i>MJB</i>	9/25/06	FUNCTIONAL BLOCK DIAGRAM MSN-8DT-05-DEC-MP OPTION: EB		
CHECKED <i>RA</i>	10/11/06	ABSORPTIVE SOLID STATE SWITCH		
ISSUED		SIZE	FSCM NO.	DWG NO.
		A	60483	100-3938-7
		SCALE	SHEET	
		NONE	3 of 4	